



ClearBlue

MINERAL SYSTEM FOR SPAS



Upgrade your hot tub to a mineral spa

First, there was chlorine. Then came salt. Now, there is minerals.

Less chlorine than traditional or saltwater spas

All hot tubs are sanitized with chlorine – even saltwater spas. With a mineral system, you can reduce the chlorine level by 50% or more.

It's never been easier to maintain a spa

Less water balancing is needed in mineral spas vs. traditional or saltwater spas. Water stays fresh longer. Mineral cell lasts up to 3 years.

Mineral spas cost less

Mineral systems cost less than salt chlorinators. Chemical costs are lower. Power cost is low. Spa shell, equipment and accessories last longer because of the lower chlorine concentration.



THINK MINERALS™

Waterproof IP67 enclosure, suitable for outdoor use
Mounts with two screws or velcro (included)

"Maintain" mode maintains steady mineral level

Indicates when cell is active or needs to be cleaned or changed

Digital readout for displaying settings

"Increase" mode for ramping up minerals after fill or refill

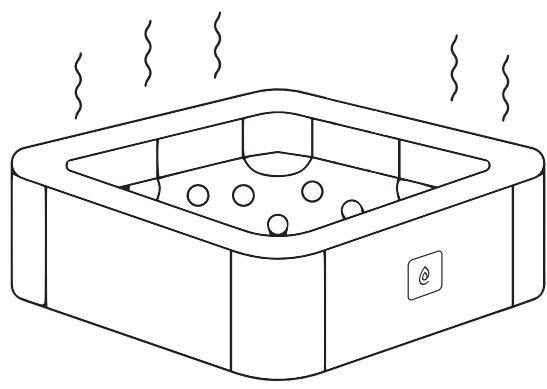
Hold  and  to lock settings to avoid tampering

Waterproof socket for mineral cell plug

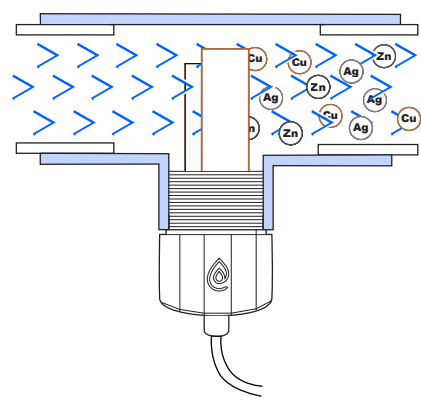
Works with 120V or 240V power and plugs into spa packs



Installs in 60 minutes




Minerals are released from the cell which is changed every 2-3 years



Model Number	Power	Hookup Kit	Maximum Volume
CBI-350P-SA	120V or 240V AMP plug for spa packs	2" clear tee, 1.5" reducers	2,500 Gal. / 9,500 L
CBI-350P-SN	120V or 240V NEMA Wall Plug	2" clear tee, 1.5" reducers	2,500 Gal. / 9,500 L

ClearBlue Ionizer Inc. Mississauga ON 866-704-8404
 Mineral Pools Inc. Naples FL 866-704-8404
 PMRA Nos. 29954, 34129 EPA No. 90859-2

 clearblueionizer.com
 mineralpools.com
 info@mineralpools.com

